

SL-4-AC Controller

SECTION OUTLINE

1. Overview
2. Pre-Installation Notes
3. Installation
4. Operation

OVERVIEW

This document provides critical information and instructions for initially installing the OutdoorLink® SL-4-AC controller. Review and adhere to all applicable local electrical codes prior to installation. The OutdoorLink units operate in a high voltage environment. OutdoorLink, Inc. assumes no liability for any injury or death incurred during the installation of the OutdoorLink unit. For detailed information about the SL-4-AC controller, refer to the technical data sheet [here](#).

PRE-INSTALLATION NOTES

- Confirm the voltage of your power source and planned wiring configuration.
- Confirm the correct voltage rating on the label on the inside of the controller lid.
 - The SL-4-AC-021 controller is rated from 120 to 277 VAC 50 to 60 Hz.
 - The SL-4-AC-001 and SL-4-AC-002 controllers are rated from 120 to 240 VAC 50 to 60 Hz.
- Relays 1 and 2 are supplied by line 1. Relays 3 and 4 are supplied by line 2.
- Each relay is rated at 16 A @ 50C and 14 A @ 70C. Each line can switch a combined load of 24 A.
- Individual relay outputs are fused at 20A
- Each supply input is required to be fed by no more than a 30A breaker.
- For 240VAC installations a relay from each line is paired to provide power to the fixture e.g., Relay 1 and 3, Relay 2 and 4.

INSTALLATION

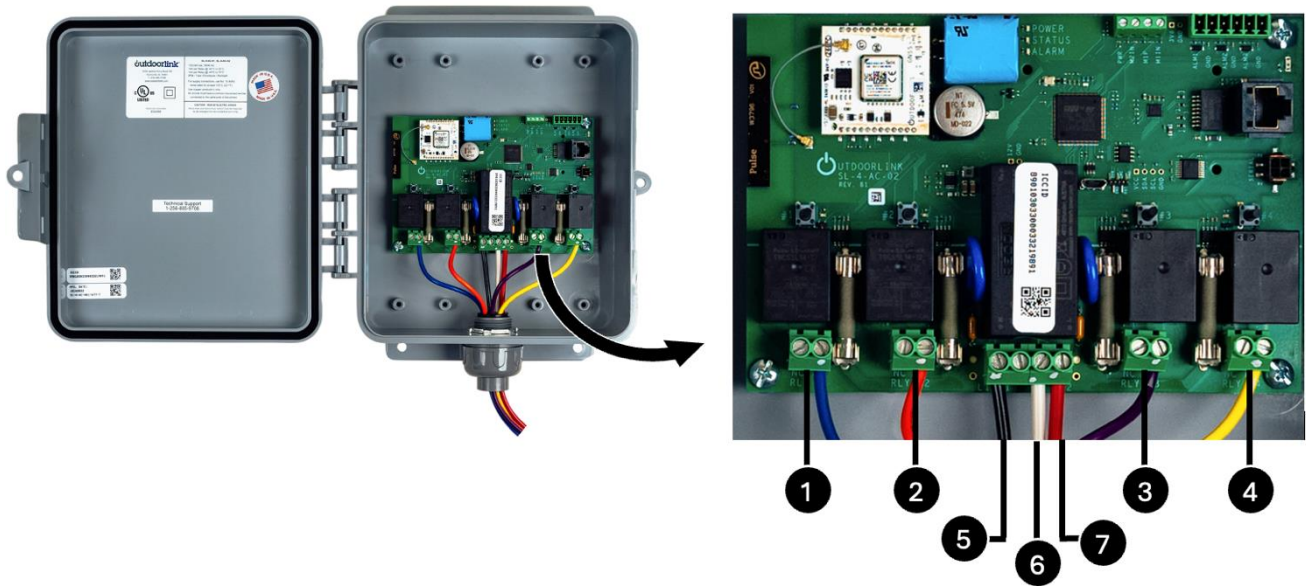
CAUTION: Before working with the unit, turn off all breakers and follow all applicable electrical codes and safety procedures.

Mounting

1. Place the controller at the desired location.
2. Use the existing screw holes in the enclosure to mark the holes for mounting the unit.
3. Mount the unit using appropriate fasteners following fastener recommendations.

Outdoorlink® SL-4-AC Controller Installation Guide

Controller Overview



| Number | Description |
|--------|--|
| 1 | Relay 1 |
| 2 | Relay 2 |
| 3 | Relay 3 |
| 4 | Relay 4 |
| 5 | Black 10 AWG supply wire – Provides power to the controller and switching voltage for relays 1 and 2 |
| 6 | White neutral wire |
| 7 | Red 10 AWG supply wire – Provides switching voltage for relays 3 and 4. |

Wiring Connections

1. Refer to the wiring diagrams below for details.
2. Connect the relay wires directly to the targeted loads.
3. Once all wired connections are completed, ensure all unused wires are capped off with wire nuts.
4. Reinstall any safety equipment and the main breaker panel.
5. Turn on the power at the breaker panel or load center.
6. **Important: The controller is now installed and ready for activation. Contact Outdoorlink support at (256) 885-9768 to activate the controller before leaving the structure.**

Outdoorlink® SL-4-AC Controller Installation Guide

OPERATION

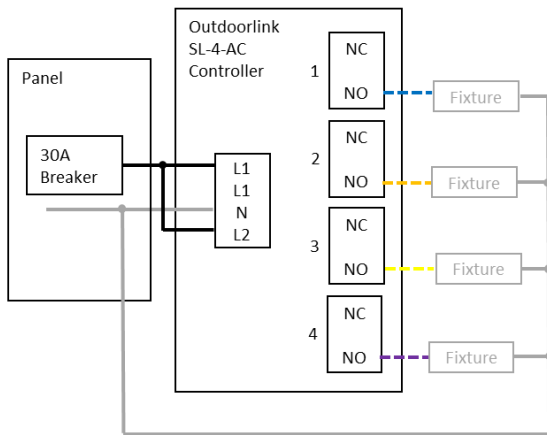
Portal Application Setup

To set up the controller in the portal application, refer to the Outdoorlink® SL-4-AC Portal User Guide located [here](#) or at <https://outdoorlinkinc.com/>.

WIRING DIAGRAMS

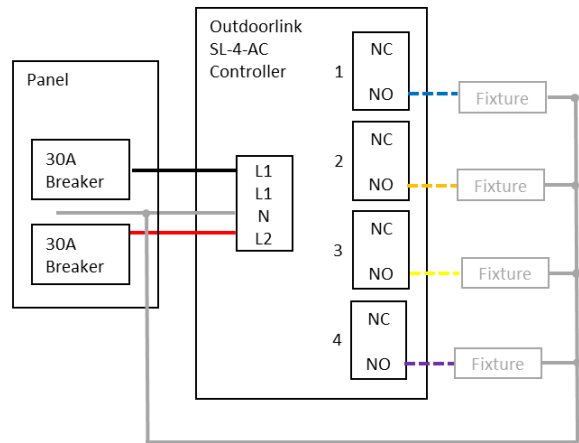
120V, 208V, 230V, 277V Fixtures

Low Current (less than 24A total load)



120V, 208V, 230V, 277V Fixtures

High Current (more than 24A total load)



240V Fixtures

Max 24A total load

